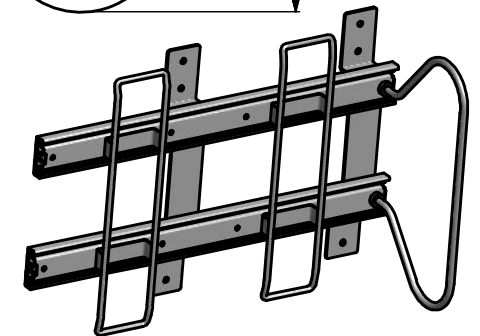
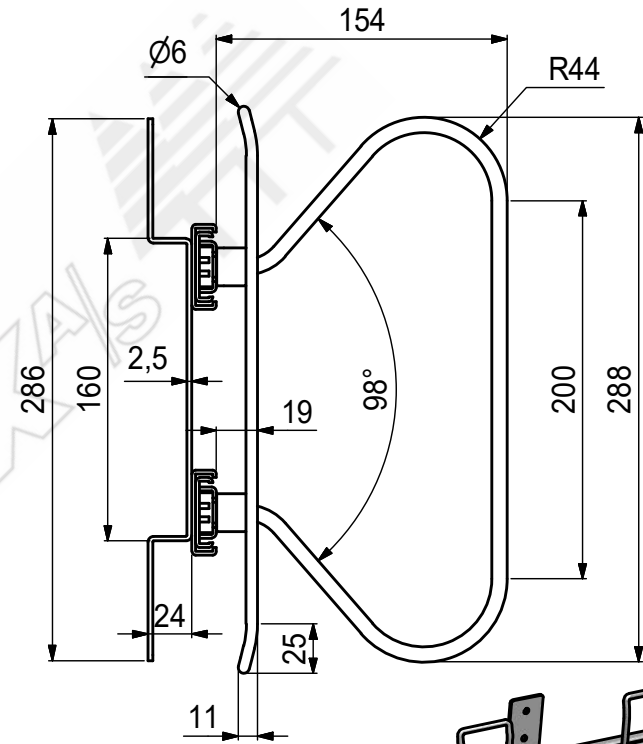
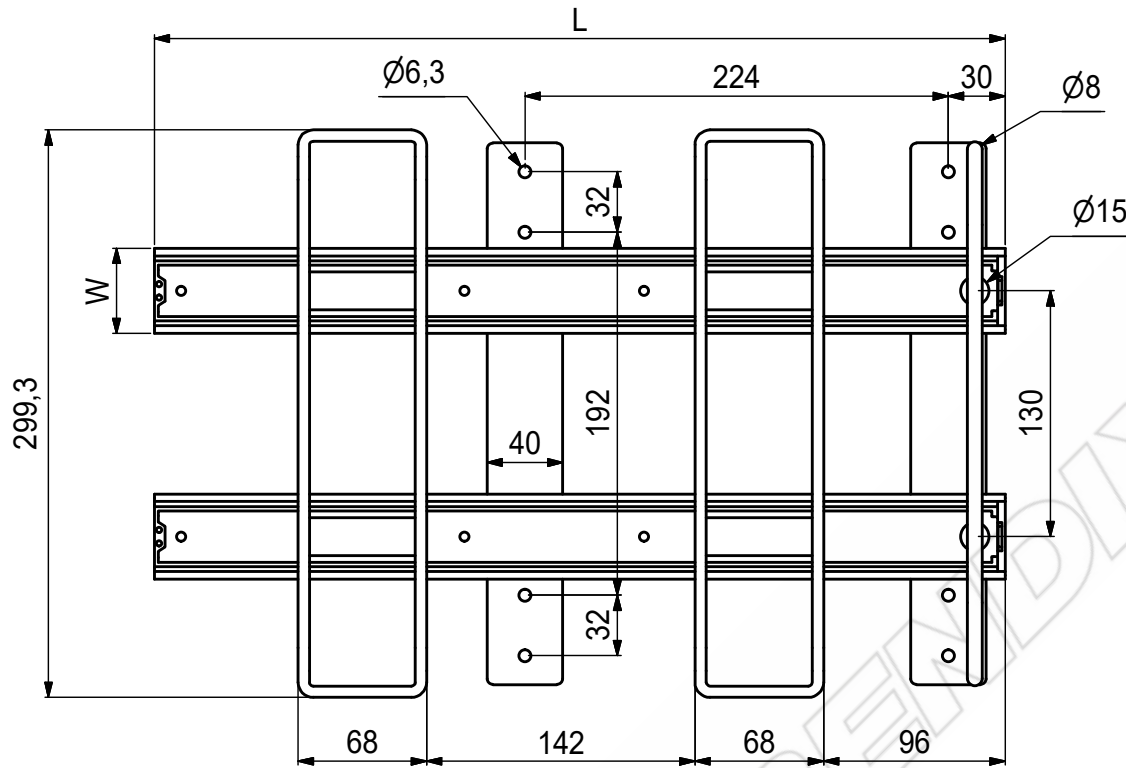


Item no.	W	L
330450	45	450
334760	45	450

General tolerances
 Unless otherwise stated
 according to
ISO 2768-1 class m



Item: **Waste bin**

Material: **Plastic / Steel**

Surface finish: **Grey / Zinc plated**

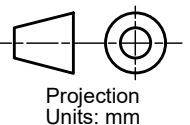
Creation date: 2016/1/19

Last changed: 2018/3/7

Ref.: Henk

Page **1 / 2**

Drawing no.

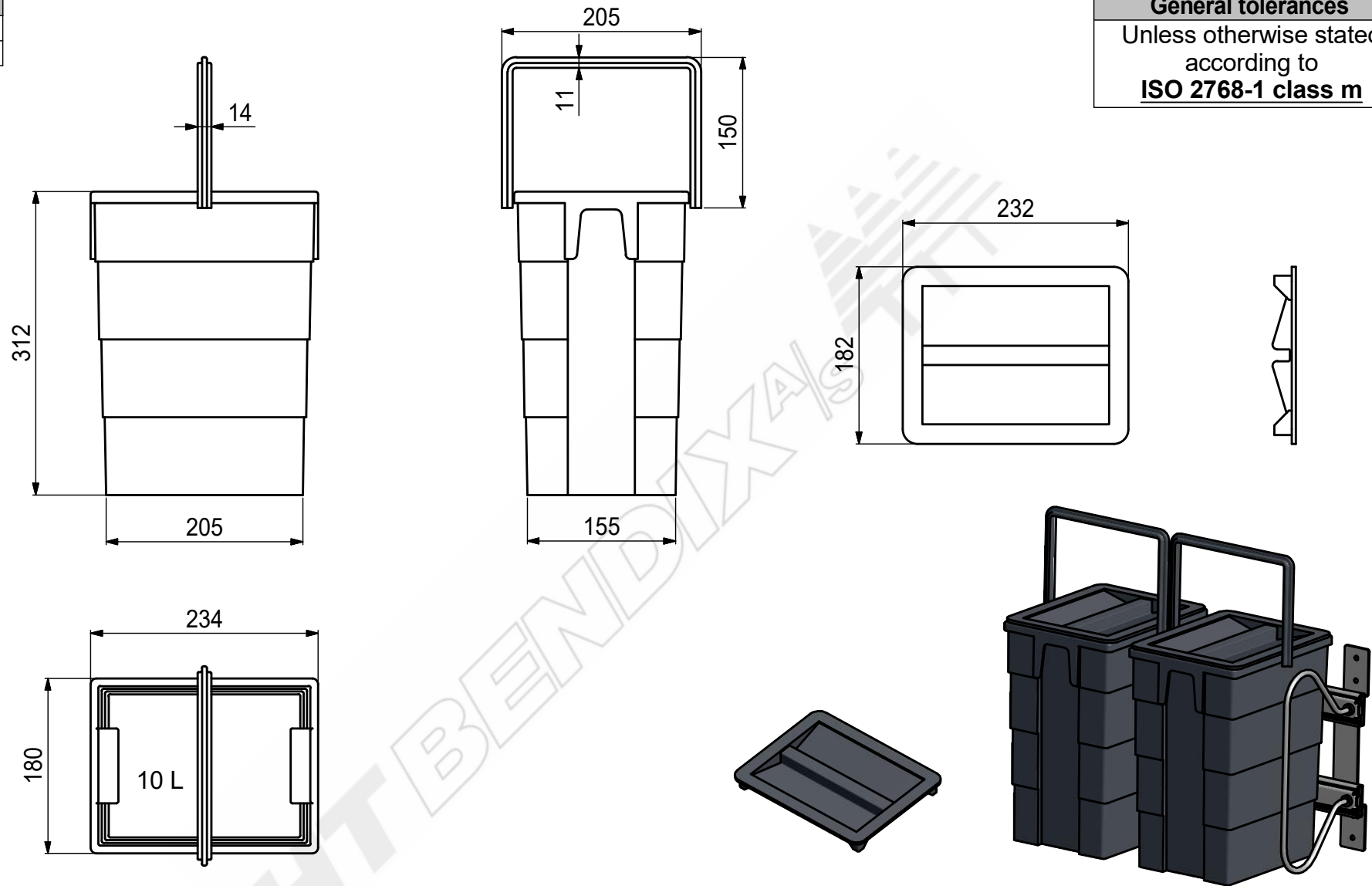


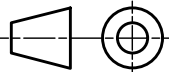
Projection
Units: mm

2864-01

Item no.	W	L
330450	45	450
334760	45	450

General tolerances
 Unless otherwise stated
 according to
ISO 2768-1 class m



Item: Waste bin		Ref.: Henk	 Projection Units: mm
Material: Plastic / Steel		Page 2 / 2	
Surface finish: Grey / Zinc plated		Creation date: 2016/1/19	Last changed: 2018/3/7
Drawing no. 2864-01			